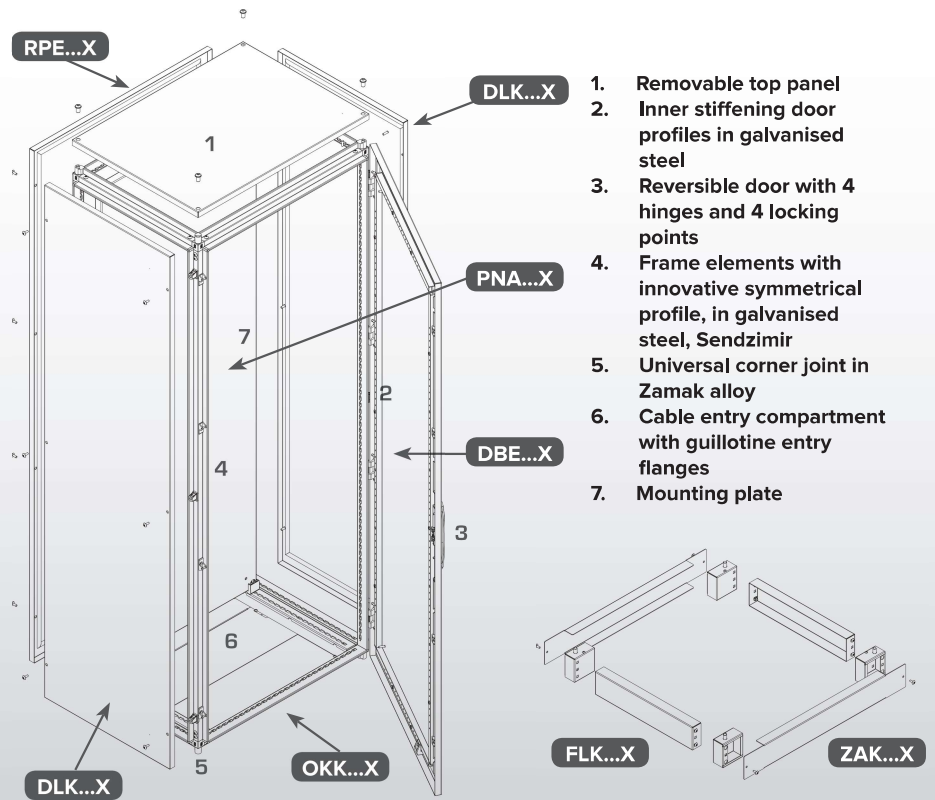




OK SERIES



ENCLOSURES



1. Removable top panel
2. Inner stiffening door profiles in galvanised steel
3. Reversible door with 4 hinges and 4 locking points
4. Frame elements with innovative symmetrical profile, in galvanised steel, Sendzimir
5. Universal corner joint in Zamak alloy
6. Cable entry compartment with guillotine entry flanges
7. Mounting plate

OKX SERIES ENCLOSURES

Floor standing enclosures SERIES OKX IP55

Description: the OKX series of modular enclosures is Quadritalia's most innovative project, a synthesis of cutting-edge industrial solutions and the result of engineering work carried out with the most advanced technologies. Now also in stainless steel version!

Thanks to the frame that can be completely disassembled and without any welding point, made by high-performance profiling lines, and the die-cast zamak joint, both patented by Quadritalia, the OK series enclosures guarantees absolute flexibility, high performance, innovation and quality.

The OKX series is available in two versions: OK Basic inox (code OKB... X - assembled cabinet) and OK Kit inox (code OKK... X disassembled cabinet supplied in flat pack). Both versions have a wide range of accessories that allow total modularity.

Protection:

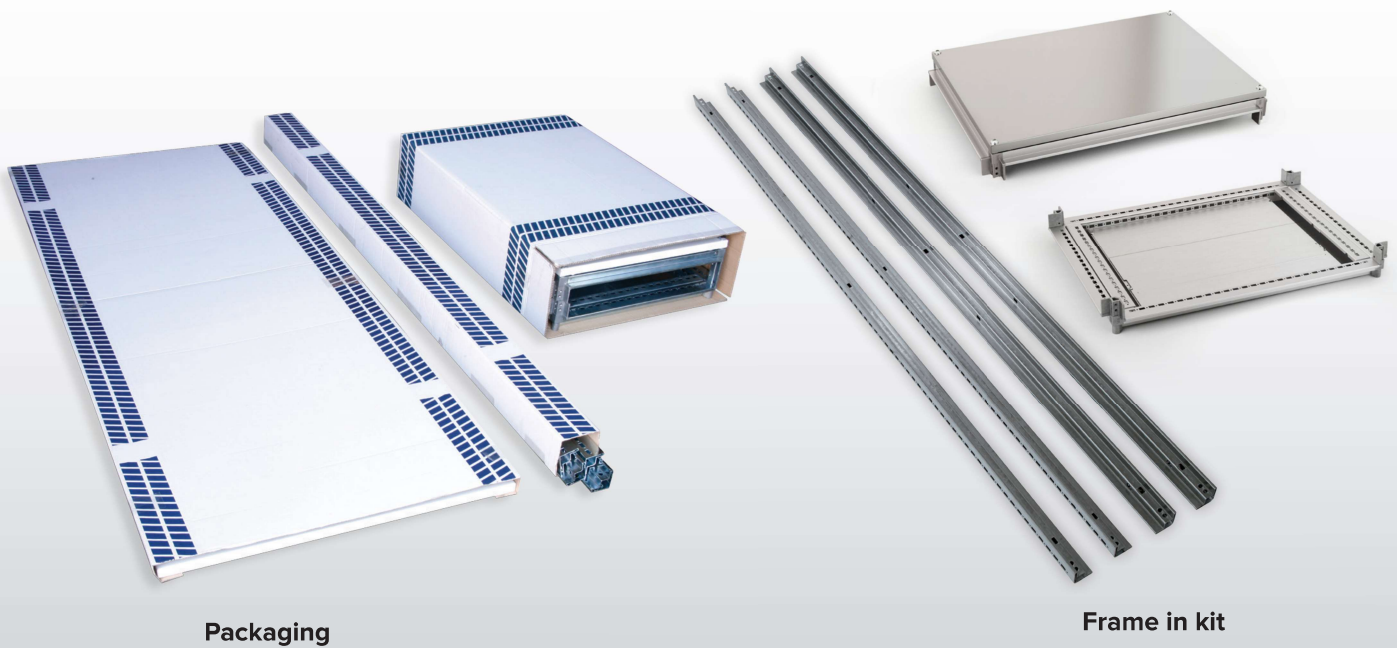
- IP55-IP65, IEC 62208 ; CEI EN 62262
- IK10, IEC 62208 ; CEI EN 62262
- Nema type 1-12: CSA22.2,941 e 942, UL508a

General technical characteristics:

- Thickness sheet of external panels 15/10
- Thickness sheet of doors 20/10
- Thickness sheet of mounting plates 25/10

Certifications:





OKX SERIES ENCLOSURES OKX Kit - Disassembled enclosure frame

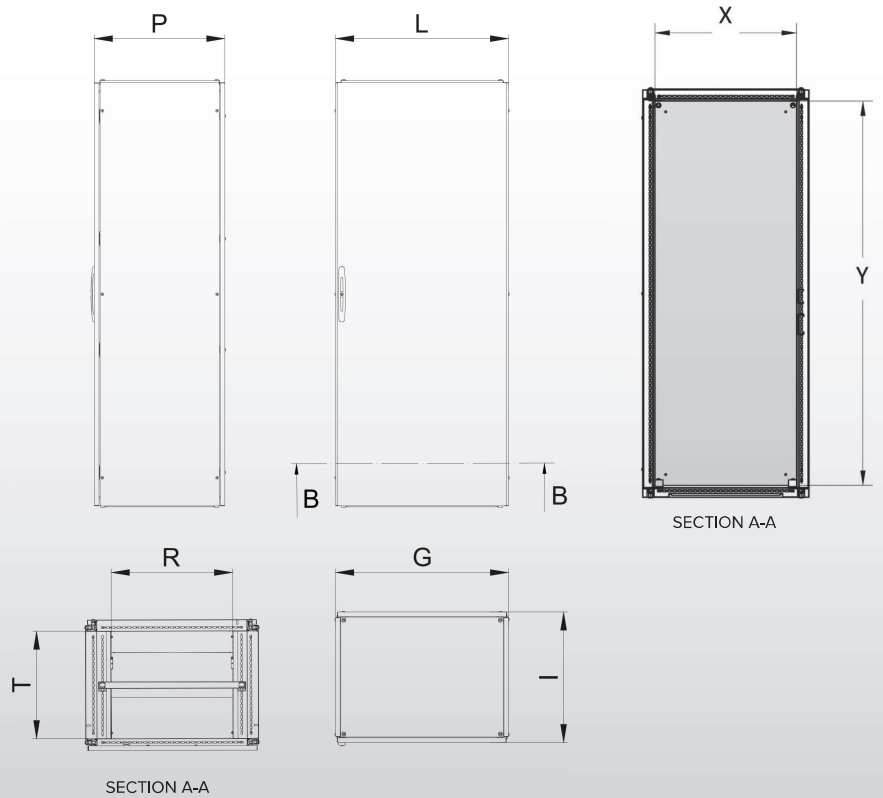
Description: the patented frame is the other fundamental element at the base of OKX technology, the new and innovative series of Quadritalia stainless steel cabinets. It is realized thanks to very high performance profiling systems thanks to which it is possible to obtain its unique design. Taking advantage of a combination of mechanical forces, once the uprights and the currents are inserted into the joint, the frame assumes a rigidity that is unmatched by the modular cabinets on the market, while guaranteeing excellent flexibility.

In the “flat pack” solution the roof and the bottom can be ordered separately from the rest of the components of the OK frame with the OKK...X code ... together with the MTK ... code, which indicates the uprights of the cabinet, makes up the complete OK frame series.

How to order a complete enclosure in flat pack version OKK

- OKK...X** Disassembled frame complete with top and bottom elements
- DBE...X** Blind door
- RPE...X** Rear panel
- PNA** Mounting plate
- DLK...X** Pair of side panels
- ZAK...X** Plinth complete with 4 corner elements, front and rear flanges
- FLK...X** Pair of side flanges for plinth





OKX SERIES ENCLOSURES

OKB - with single blind door

Description: pre-assembled enclosure series OKX, with removable top panel and adjustable cable entry flanges, with single blind door, with inner stiffening frame and corner elements in zama, polyurethane gasket, espanolette locking system, 3.0 mm double bar type.

Code OKB includes:

- Pre-assembled OKX frame with top removable panel and adjustable cable entry flanges
- adjustable cable entry flanges
- External blind door **DBE...X**
- Rear panel screwed **RPE...X**
- Mounting plate **PNA** (page 16)

Notes: the DBE doors are reversible

To be ordered separately:

- Plinth h=100 / h=200 code **ZAK...X** + side flanges code **FLK...X** (page 18)
- Side panels code **DLK...X**
- Lifting eyebolts (page 57)

		H=1600								
OKK...X CODE	OKB...X CODE	Nominal dimensions			Characteristic dimensions				Inner plate	
		H	L	P	G	I	R	T	X	Y
OKK1664X	OKB1664X	1600	600	400	534	334	349	303	490	1480
OKK1665X	OKB1665X	1600	600	500	534	434	349	403	490	1480
OKK1666X	OKB1666X	1600	600	600	534	534	349	503	490	1480
OKK1684X	OKB1684X	1600	800	400	734	334	549	303	690	1480
OKK1685X	OKB1685X	1600	800	500	734	434	549	403	690	1480
OKK1686X	OKB1686X	1600	800	600	734	534	549	503	690	1480
OKK16A4X	OKB16A4X	1600	1000	400	934	334	749	303	890	1480
OKK16A5X	OKB16A5X	1600	1000	500	934	434	749	403	890	1480
OKK16A6X	OKB16A6X	1600	1000	600	934	534	749	503	890	1480



H=1800

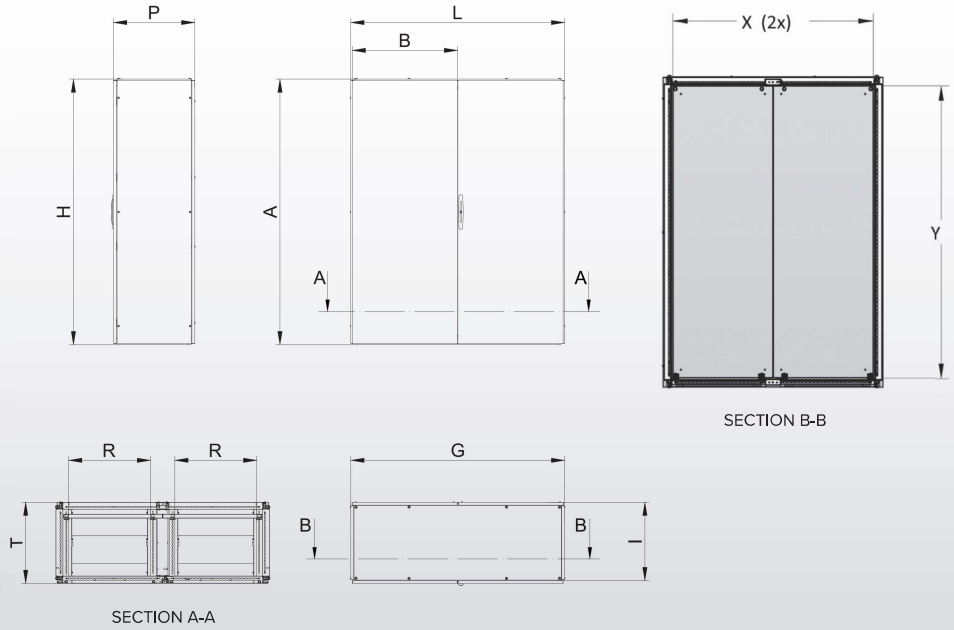
OKK...X CODE	OKB...X CODE	Nominal dimensions			Characteristic dimensions				Inner plate	
		H	L	P	G	I	R	T	X	Y
OKK1844X	OKB1844X	1800	400	400	334	334	149	303	290	1680
OKK1845X	OKB1845X	1800	400	500	334	434	149	403	290	1680
OKK1846X	OKB1846X	1800	400	600	334	534	149	503	290	1680
OKK1848X	OKB1848X	1800	400	800	334	734	149	703	290	1680
OKK1864X	OKB1864X	1800	600	400	534	334	349	303	490	1680
OKK1865X	OKB1865X	1800	600	500	534	434	349	403	490	1680
OKK1866X	OKB1866X	1800	600	600	534	534	349	503	490	1680
OKK1868X	OKB1868X	1800	600	800	534	734	349	703	490	1680
OKK1884X	OKB1884X	1800	800	400	734	334	549	303	690	1680
OKK1885X	OKB1885X	1800	800	500	734	434	549	403	690	1680
OKK1886X	OKB1886X	1800	800	600	734	534	549	503	690	1680
OKK1888X	OKB1888X	1800	800	800	734	734	549	703	690	1680
OKK188AX	OKB188AX	1800	800	1000	734	934	549	903	690	1680
OKK18A4X	OKB18A4X	1800	1000	400	934	334	749	303	890	1680
OKK18A5X	OKB18A5X	1800	1000	500	934	434	749	403	890	1680
OKK18A6X	OKB18A6X	1800	1000	600	934	534	749	503	890	1680
OKK18A8X	OKB18A8X	1800	1000	800	934	734	749	703	890	1680
OKK18AAX	OKB18AAX	1800	1000	1000	934	934	749	903	890	1680

H=2000

OKK...X CODE	OKB...X CODE	Nominal dimensions			Characteristic dimensions				Inner plate	
		H	L	P	G	I	R	T	X	Y
OKK2044X	OKB2044X	2000	400	400	334	334	149	303	290	1880
OKK2045X	OKB2045X	2000	400	500	334	434	149	403	290	1880
OKK2046X	OKB2046X	2000	400	600	334	534	149	503	290	1880
OKK2048X	OKB2048X	2000	400	800	334	734	149	703	290	1880
OKK2064X	OKB2064X	2000	600	400	534	334	349	303	490	1880
OKK2065X	OKB2065X	2000	600	500	534	434	349	403	490	1880
OKK2066X	OKB2066X	2000	600	600	534	534	349	503	490	1880
OKK2068X	OKB2068X	2000	600	800	534	734	349	703	490	1880
OKK2084X	OKB2084X	2000	800	400	734	334	549	303	690	1880
OKK2085X	OKB2085X	2000	800	500	734	434	549	403	690	1880
OKK2086X	OKB2086X	2000	800	600	734	534	549	503	690	1880
OKK2088X	OKB2088X	2000	800	800	734	734	549	703	690	1880
OKK208AX	OKB208AX	2000	800	1000	734	934	549	903	690	1880
OKK20A4X	OKB20A4X	2000	1000	400	934	334	749	303	890	1880
OKK20A5X	OKB20A5X	2000	1000	500	934	434	749	403	890	1880
OKK20A6X	OKB20A6X	2000	1000	600	934	534	749	503	890	1880
OKK20A8X	OKB20A8X	2000	1000	800	934	734	749	703	890	1880
OKK20AAX	OKB20AAX	2000	1000	1000	934	934	749	903	890	1880

H=2200

OKK...X CODE	OKB...X CODE	Nominal dimensions			Characteristic dimensions				Inner plate	
		H	L	P	G	I	R	T	X	Y
OKK2264X	OKB2264X	2200	600	400	534	334	349	303	490	2080
OKK2265X	OKB2265X	2200	600	500	534	434	349	403	490	2080
OKK2266X	OKB2266X	2200	600	600	534	534	349	503	490	2080
OKK2268X	OKB2268X	2200	600	800	534	734	349	703	490	2080
OKK226AX	OKB226AX	2200	600	1000	534	934	349	903	490	2080
OKK2284X	OKB2284X	2200	800	400	734	334	549	303	690	2080
OKK2285X	OKB2285X	2200	800	500	734	434	549	403	690	2080
OKK2286X	OKB2286X	2200	800	600	734	534	549	503	690	2080
OKK2288X	OKB2288X	2200	800	800	734	734	549	703	690	2080
OKK228AX	OKB228AX	2200	800	1000	734	934	549	903	690	2080
OKK22A4X	OKB22A4X	2200	1000	400	934	334	749	303	890	2080
OKK22A5X	OKB22A5X	2200	1000	500	934	434	749	403	890	2080
OKK22A6X	OKB22A6X	2200	1000	600	934	534	749	503	890	2080
OKK22A8X	OKB22A8X	2200	1000	800	934	734	749	703	890	2080
OKK22AAX	OKB22AAX	2200	1000	1000	934	934	749	903	890	2080



OKX SERIES ENCLOSURES

OKB – with double blind doors

Description: pre-assembled enclosure series OKX, with removable top panel and adjustable cable entry flanges, double blind doors, with inner stiffening frame and corner elements in zama, polyurethane gasket, espanolette locking system for the main door, and two locks 3.0 mm double bar type for the second door.

Code OKB includes:

- Pre-assembled **OKX** frame with top removable panel and adjustable cable entry flanges
- External blind door **DBE...X**
- Rear panel screwed **RPE...X**
- Mounting plate **PNA** (page 16)

To be ordered separately:

- Plinth h=100 / h=200 code **ZAK...X** + side flanges code **FLK..X** (page 18)
- Side panels code **DLK...X**
- Lifting eyebolts (page 57)

OKK...X CODE		OKB...X CODE		Nominal dimensions			Characteristic dimensions				Cable entry		Inner plate	
		H	L	P	A	B	G	I	R	T	X	Y		
OKK16C4X	OKB16C4X	1600	1200	400	1594	1184	1134	334	953	303	1090	1480		
OKK16C5X	OKB16C5X	1600	1200	500	1594	1184	1134	434	953	403	1090	1480		
OKK16C6X	OKB16C6X	1600	1200	600	1594	1184	1134	534	953	503	1090	1480		



Notes: enclosures width =1600mm have double rear panels screwed to an intermediate vertical upright and double mounting plates instead of a single one.

N.B.: on request product available in AISI 316L version

H=1800

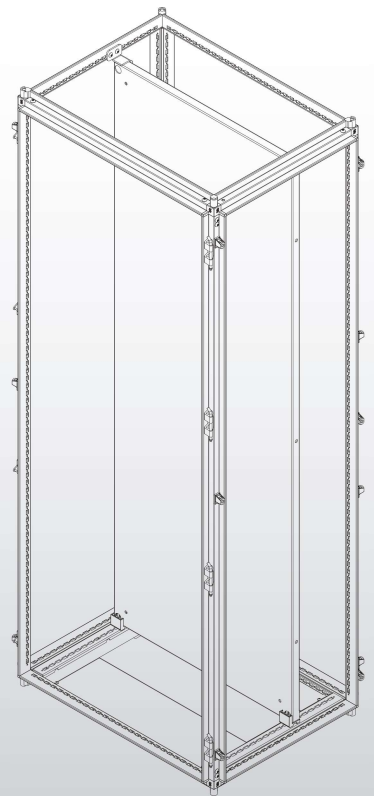
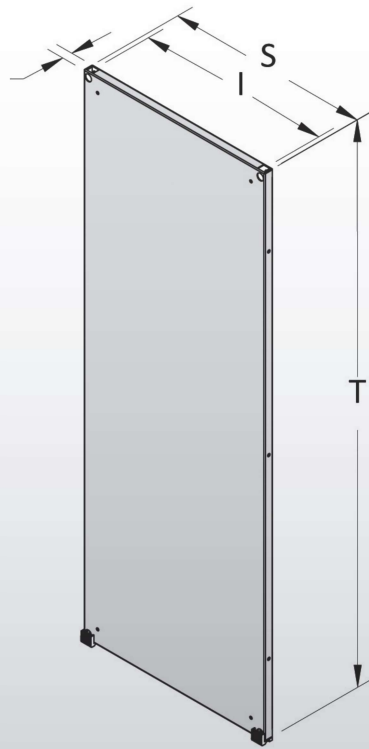
OKK...X CODE	OKB...X CODE	Nominal dimensions			Characteristic dimensions				Cable entry		Inner plate	
		H	L	P	A	B	G	I	R	T	X	Y
OKK18C4X	OKB18C4X	1800	1200	400	1794	1184	1134	334	953	303	1090	1680
OKK18C5X	OKB18C5X	1800	1200	500	1794	1184	1134	434	953	403	1090	1680
OKK18C6X	OKB18C6X	1800	1200	600	1794	1184	1134	534	953	503	1090	1680
OKK18C8X	OKB18C8X	1800	1200	800	1794	1184	1134	734	953	703	1090	1680
OKK18CAX	OKB18CAX	1800	1200	1000	1794	1184	1134	934	953	903	1090	1680
OKK18D4X	OKB18D4X	1800	1400	400	1794	1384	1334	334	453*	303	1290	1680
OKK18D5X	OKB18D5X	1800	1400	500	1794	1384	1334	434	453*	403	1290	1680
OKK18D6X	OKB18D6X	1800	1400	600	1794	1384	1334	534	453*	503	1290	1680
OKK18D8X	OKB18D8X	1800	1400	800	1794	1384	1334	734	453*	703	1290	1680
OKK18E4X	OKB18E4X	1800	1600	400	1794	792*	1534	334	553*	303	1490	1680
OKK18E5X	OKB18E5X	1800	1600	500	1794	792*	1534	434	553*	403	1490	1680
OKK18E6X	OKB18E6X	1800	1600	600	1794	792*	1534	534	553*	503	1490	1680
OKK18E8X	OKB18E8X	1800	1600	800	1794	792*	1534	734	553*	703	1490	1680

H=2000

OKK...X CODE	OKB...X CODE	Nominal dimensions			Characteristic dimensions				Cable entry		Inner plate	
		H	L	P	A	B	G	I	R	T	X	Y
OKK20C4X	OKB20C4X	2000	1200	400	1994	1184	1134	334	953	303	1090	1880
OKK20C5X	OKB20C5X	2000	1200	500	1994	1184	1134	434	953	403	1090	1880
OKK20C6X	OKB20C6X	2000	1200	600	1994	1184	1134	534	953	503	1090	1880
OKK20C8X	OKB20C8X	2000	1200	800	1994	1184	1134	734	953	703	1090	1880
OKK20CAX	OKB20CAX	2000	1200	1000	1994	1184	1134	934	953	903	1090	1880
OKK20D4X	OKB20D4X	2000	1400	400	1994	1384	1334	334	453*	303	1290	1880
OKK20D5X	OKB20D5X	2000	1400	500	1994	1384	1334	434	453*	403	1290	1880
OKK20D6X	OKB20D6X	2000	1400	600	1994	1384	1334	534	453*	503	1290	1880
OKK20D8X	OKB20D8X	2000	1400	800	1994	1384	1334	734	453*	703	1290	1880
OKK20E4X	OKB20E4X	2000	1600	400	1994	792*	1534	334	553*	303	1490	1880
OKK20E5X	OKB20E5X	2000	1600	500	1994	792*	1534	434	553*	403	1490	1880
OKK20E6X	OKB20E6X	2000	1600	600	1994	792*	1534	534	553*	503	1490	1880
OKK20E8X	OKB20E8X	2000	1600	800	1994	792*	1534	734	553*	703	1490	1880

H=2200

OKK...X CODE	OKB...X CODE	Nominal dimensions			Characteristic dimensions				Cable entry		Inner plate	
		H	L	P	A	B	G	I	R	T	X	Y
OKK22C4X	OKB22C4X	2200	1200	400	2194	1184	1134	334	953	303	1090	2080
OKK22C5X	OKB22C5X	2200	1200	500	2194	1184	1134	434	953	403	1090	2080
OKK22C6X	OKB22C6X	2200	1200	600	2194	1184	1134	534	953	503	1090	2080
OKK22C8X	OKB22C8X	2200	1200	800	2194	1184	1134	734	953	703	1090	2080
OKK22CAX	OKB22CAX	2200	1200	1000	2194	1184	1134	934	953	903	1090	2080
OKK22D5X	OKB22D5X	2200	1400	500	2194	1384	1334	434	453*	403	1290	2080
OKK22D6X	OKB22D6X	2200	1400	600	2194	1384	1334	534	453*	503	1290	2080
OKK22D8X	OKB22D8X	2200	1400	800	2194	1384	1334	734	453*	703	1290	2080
OKK22E5X	OKB22E5X	2200	1600	500	2194	792*	1534	434	553*	403	1490	2080
OKK22E6X	OKB22E6X	2200	1600	600	2194	792*	1534	534	553*	503	1490	2080
OKK22E8X	OKB22E8X	2200	1600	800	2194	792*	1534	734	553*	703	1490	2080



OKX SERIES ENCLOSURES

PNA - Mounting plate

Description: the front inserted mounting plates are used on the OK series, as well as on the AF and AS monoblock series. The thickness of the galvanised metal steel sheet Sendzimir is 2,5 mm. The standard set of fixing tools allows an easy insertion and installing of the mounting plate in any intermediate depth position.

In case of union of enclosures, to remove the space between the mounting plates unifying the wiring surface, it is possible to install plate fillers, cod. FUP.

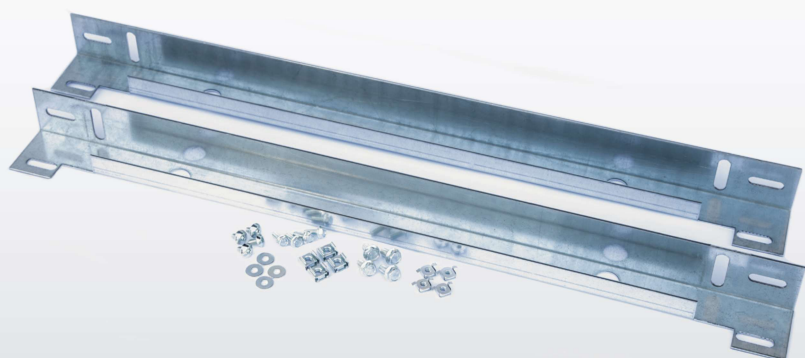
Code PNA includes:

- mounting plate in galvanised steel
- set of fixing tools PPK100

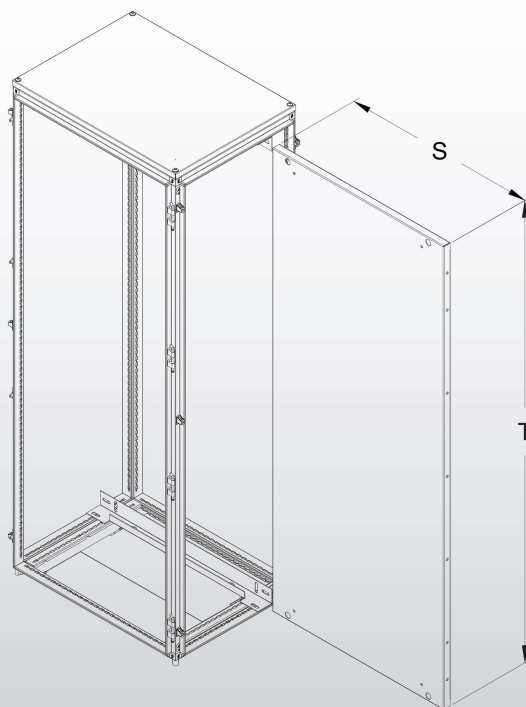
Notes:

- available set of tools code APK110 for installing the plate in the rearmost position
- on enclosures $W > 1.400\text{mm}$ the plate is supplied as pair of plates instead of one
- with standard mounting kit, the plate has the maximum distance of 600mm from the door and 490mm from the vertical upright

CODE	Nominal dimensions		Other dimensions		
	H	L	T	S	I
PNA126	1200	600	1080	490	452
PNA128	1200	800	1080	690	652
PNA12A	1200	1000	1080	890	852
PNA12C	1200	1200	1080	1090	1052
PNA146	1400	600	1280	490	452
PNA148	1400	800	1280	690	652
PNA14A	1400	1000	1280	890	852
PNA14C	1400	1200	1280	1090	1052
PNA166	1600	600	1480	490	452
PNA168	1600	800	1480	690	652
PNA16A	1600	1000	1480	890	852
PNA16C	1600	1200	1480	1090	1052
PNA184	1800	400	1680	290	252
PNA186	1800	600	1680	490	452
PNA188	1800	800	1680	690	652
PNA18A	1800	1000	1680	890	852
PNA18C	1800	1200	1680	1090	1052
PNA18D	1800	1400	1680	1290	1252
PNA204	2000	400	1880	290	252
PNA206	2000	600	1880	490	452
PNA208	2000	800	1880	690	652
PNA20A	2000	1000	1880	890	852
PNA20C	2000	1200	1880	1090	1052
PNA20D	2000	1400	1880	1290	1252
PNA226	2200	600	2080	490	452
PNA228	2200	800	2080	690	652
PNA22A	2200	1000	2080	890	852
PNA22C	2200	1200	2080	1090	1052
PNA22D	2200	1400	2080	1290	1252



SPK.../B



OKX SERIES ENCLOSURES

PMB - Wide mounting plate

Description: the mounting plate is made up of 2.5 mm thick galvanised metal sheet, its wide dimensions allow to exploit all available surface for wiring. The insertion of the plate from the side is possible thanks to an upper and lower rail installed on the frame horizontal elements. When two enclosures are joined together, the side mounting plates are screwed together, therefore the FUP plate filler is not necessary. The rails can be equipped with the additional sliding spheres code ESF158 (available on request), allowing the wide plate to be installed easily.

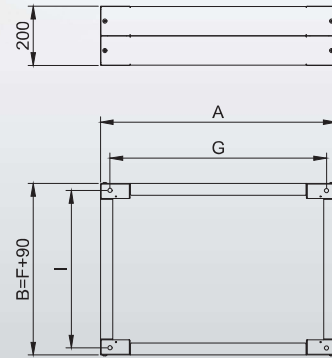
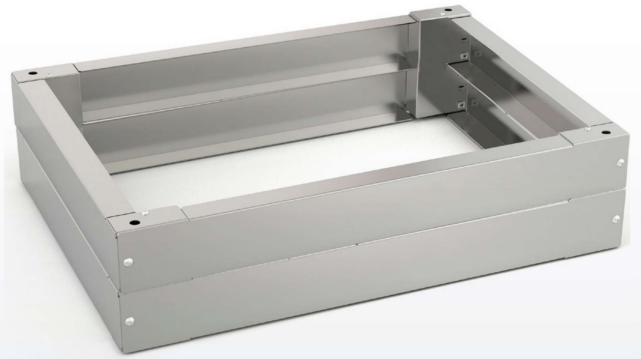
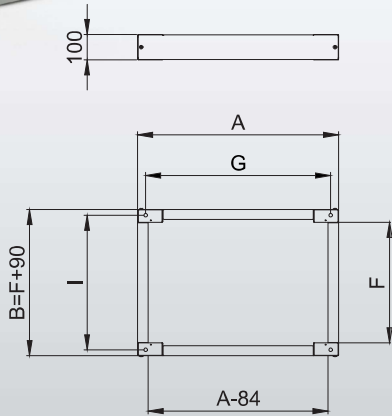
Code PMB includes:

- Wide mounting plate
- Pair of guides for side insertion
- 4 x Screws M6 x 16
- 8 x washer M8
- 4 x special screws M8
- 4 x nuts M8
- 4 x cage nuts M6

CODE	L
SPK040/B	400
SPK060/B	600
SPK080/B	800
SPK100/B	1000
SPK120/B	1200
SPK140/B	1400
SPK160/B	1600

CODE	Nominal dimensions		Other dimensions	
	H	L	B	A
PMB166	1600	600	1480	600
PMB168	1600	800	1480	800
PMB16A	1600	1000	1480	1000
PMB16C	1600	1200	1480	1200
PMB184	1800	400	1680	400
PMB186	1800	600	1680	600
PMB188	1800	800	1680	800
PMB18A	1800	1000	1680	1000
PMB18C	1800	1200	1680	1200
PMB18D	1800	1400	1680	1400
PMB18E	1800	1600	1680	800 ⁽²⁾
PMB18F	1800	1800	1680	900 ⁽²⁾
PMB206	2000	600	1880	600
PMB208	2000	800	1880	800
PMB20A	2000	1000	1880	1000
PMB20C	2000	1200	1880	1200
PMB20D	2000	1400	1880	1400
PMB20E	2000	1600	1880	800 ⁽²⁾
PMB226	2200	600	2080	600
PMB228	2200	800	2080	800
PMB22A	2200	1000	2080	1000
PMB22C	2200	1200	2080	1200
PMB22D	2200	1400	2080	1400
PMB22E	2200	1600	2080	800 ⁽²⁾

(2) indicates that the plate consists of two screwed elements.



OKX/AFX/ASX SERIES ENCLOSURES and CONSOLES ZAK and FLK - Plinth H=100 / 200

Description: ZAK plinths h=100mm/200mm include 4 corner pieces made up of stainless steel sheet thick 2.0 mm, and front and rear plates h=100mm/200mm. The plinth is completed by the additional side flanges code FLK.

The assembling on the enclosures is possible thanks to inspectable front and rear elements.

Code ZAK includes:

- Pair of front and rear plates H=100/200mm;
- Set of 4 corner elements H=100/200mm;
- Screws.

The plinth is completed with the side flanges code FLK, h=100/200mm.

Code FLK includes:

- Pair of side flanges H=100/200 mm;
- Screws.

		ZAK...X		
CODE		Nominal dimensions	Other dimensions	
H=100	H=200	L	A	G
ZAK041X	ZAK042X	400	398	334
ZAK051X	ZAK052X	500	498	434
ZAK061X	ZAK062X	600	598	534
ZAK081X	ZAK082X	800	798	734
ZAK0A1X	ZAK0A2X	1000	998	934
ZAK0C1X	ZAK0C2X	1200	1198	1134
ZAK0D1X	ZAK0D2X	1400	1398	1334
ZAK0E1X	ZAK0E2X	1600	1598	1534

		FLK..X		
CODE		Nominal dimensions	Other dimensions	
H=100	H=200	L	F	I
FLK12X	FLK22X	200	75	134
FLK13X	FLK23X	300	175	234
FLK14X	FLK24X	400	275	334
FLK15X	FLK25X	500	375	434
FLK16X	FLK26X	600	475	534
FLK18X	FLK28X	800	675	734
FLK1AX	FLK2AX	1000	875	934

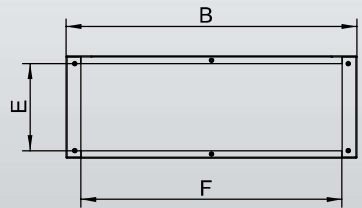
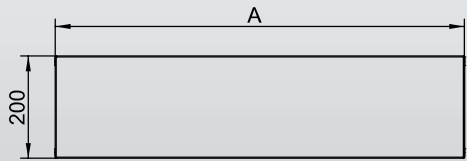
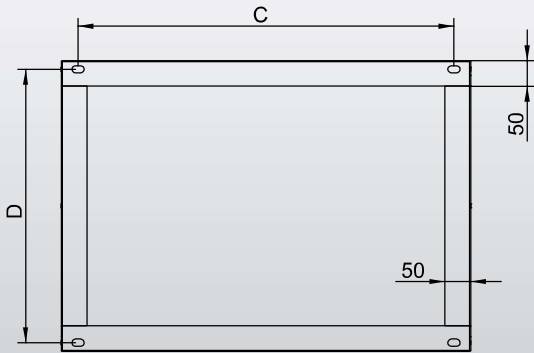
Notes: plinth code ZAK and side flanges code FLK are used on enclosures series OK, AF and AS and on all the series of consoles.



ZCC



FZ2



OKX/AFX/ASX SERIES ENCLOSURES and CONSOLES

ZCC and FZ2 - Watertight plinth H=200 IP55

Description: the ZCC plinths are supplied in height 200 mm (h=100 mm on request). It is made up of steel sheet thick 2.0mm, and are complete with the necessary side flanges (FZ2). They guarantee the IP55 protection.

Plinth ZCC...X	Flanges FZ2...X	Nominal dimensions		Other dimensions					
H=200	H=200	L	P	A	B	C	D	E	F
ZCC0252X	FZ2500	200	500	199,5	468	134	434	170	410
ZCC0262X	FZ2600	200	600	199,5	568	134	534	170	510
ZCC0282X	FZ2800	200	800	199,5	768	134	734	170	710
ZCC02A2X	FZ2A00	200	1000	199,5	968	134	934	170	910
ZCC0352X	FZ2500	300	500	299,5	468	234	434	170	410
ZCC0362X	FZ2600	300	600	299,5	568	234	534	170	510
ZCC0382X	FZ2800	300	800	299,5	768	234	734	170	710
ZCC03A2X	FZ2A00	300	1000	299,5	968	234	934	170	910
ZCC0442X	FZ2400	400	400	399,5	368	334	334	170	310
ZCC0452X	FZ2500	400	500	399,5	468	334	434	170	410
ZCC0462X	FZ2600	400	600	399,5	568	334	534	170	510
ZCC0482X	FZ2800	400	800	399,5	768	334	734	170	710
ZCC04A2X	FZ2A00	400	1000	399,5	968	334	934	170	910
ZCC0642X	FZ2400	600	400	599,5	368	534	334	170	310
ZCC0652X	FZ2500	600	500	599,5	468	534	434	170	410
ZCC0662X	FZ2600	600	600	599,5	568	534	534	170	510
ZCC0682X	FZ2800	600	800	599,5	768	534	734	170	710
ZCC06A2X	FZ2A00	600	1000	599,5	968	534	934	170	910
ZCC0842X	FZ2400	800	400	799,5	368	734	334	170	310
ZCC0852X	FZ2500	800	500	799,5	468	734	434	170	410
ZCC0862X	FZ2600	800	600	799,5	568	734	534	170	510
ZCC0882X	FZ2800	800	800	799,5	768	734	734	170	710
ZCC08A2X	FZ2A00	800	1000	799,5	968	734	934	170	910
ZCC1042X	FZ2400	1000	400	999,5	368	934	334	170	310
ZCC1052X	FZ2500	1000	500	999,5	468	934	434	170	410
ZCC1062X	FZ2600	1000	600	999,5	568	934	534	170	510
ZCC1082X	FZ2800	1000	800	999,5	768	934	734	170	710
ZCC10A2X	FZ2A00	1000	1000	999,5	968	934	934	170	910
ZCC1242X	FZ2400	1200	400	1199,5	368	1134	334	170	310
ZCC1252X	FZ2500	1200	500	1199,5	468	1134	434	170	410
ZCC1262X	FZ2600	1200	600	1199,5	568	1134	534	170	510
ZCC1282X	FZ2800	1200	800	1199,5	768	1134	734	170	710
ZCC12A2X	FZ2A00	1200	1000	1199,5	968	1134	934	170	910



OKX SERIES ENCLOSURES

Configurations of enclosures

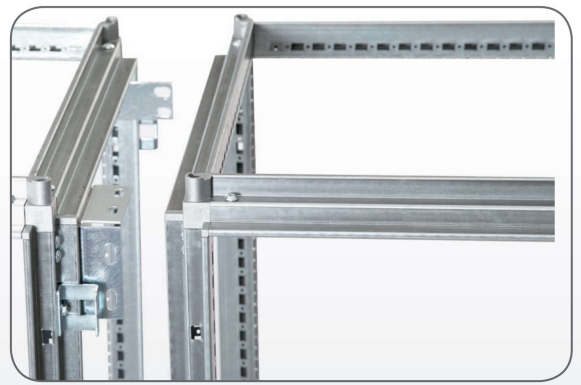
Description: thanks to the absolute modularity of the OK frame series, the cabinets can be joined together in a vast array of configurations, thanks to an intuitive and easy to use accessory kit.

The union occurs through the positioning between the uprights of special metal brackets, under which the shaped gaskets are placed, between the screw and the nut in a cage, to guarantee the IP protection degree.

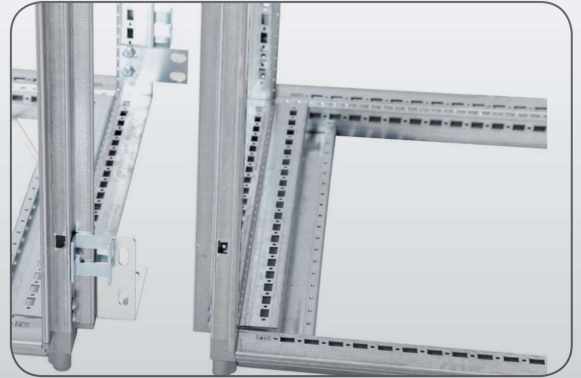
A full-height perimeter gasket is placed between the paired frames to maintain the IP protection degree unchanged. Inside the enclosures, the union occurs through the use of two pairs of squares and galvanized plates that ensure the single columns in a single very robust structure, guaranteed both during lifting and during any movement of the configurations.



Detail A



Detail B



OKX SERIES ENCLOSURES

UTK – Baying kit enclosures

Description: the baying kit is a complete set of accessories for joining two enclosures series OK by sides and by rear sides also, guaranteeing IP55 degree of protection.

Code **UTK700**, loose set of tools

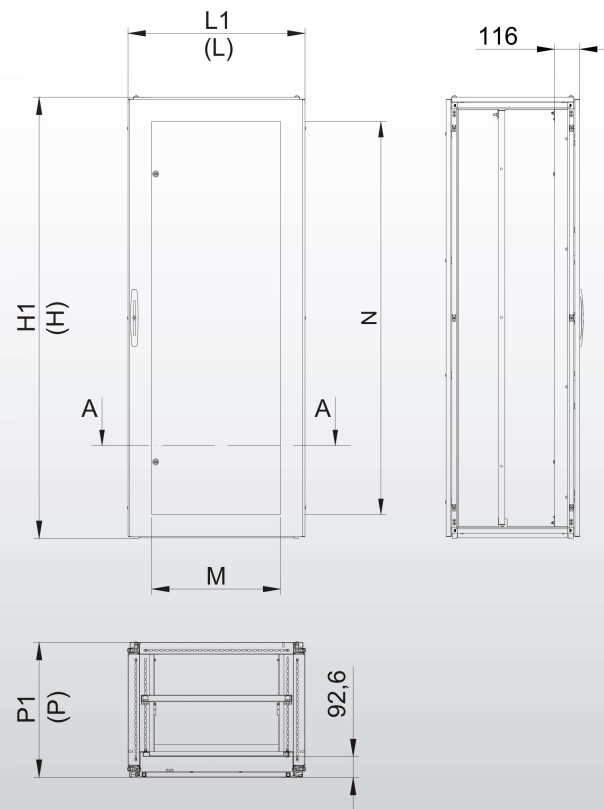
Code **UTK770**, assembled on the enclosures

Code UTK700 includes:

- 12 screws fl. M8x16 hexagonal head (Code VTR800)
- 24 screws TT M6x12 torx T30 cl. 10.9 (Code VBC612)
- 24 cage nuts M6 (Code DGM900)
- 4 reinforcing corner brackets
- 2 inner fixing brackets
- 6 distance-keeper brackets
- 12 sagomated gasket
- 5m gasket



Notes: the codes VTR800, VBC612 and DGM900 refer to kits of 100 pcs. cad.



OKX SERIES ENCLOSURES

OKV – with glazed door

Description: pre-assembled enclosure series OK, with removable top panel and adjustable cable entry flanges, with single or double glazed door, including a PMMA transparent thick 4.0 mm, fixed with acrylic film and a series of galvanised brackets.

Code OKV includes:

- Pre-assembled OK frame with top removable panel and adjustable cable entry flanges
- External glazed door DTE...X
- Inner blind door DBI...X
- Rear panel screwed RPE...X
- Mounting plate PNA (page 16)

To be ordered separately:

- Plinth h=100 / h=200 cod.e ZAK + side flanges code FLK (page 18)
- Side panels code DLK
- Lifting eyebolts (page 57)



Notes: The inner distance between the inner and external door can be adjusted

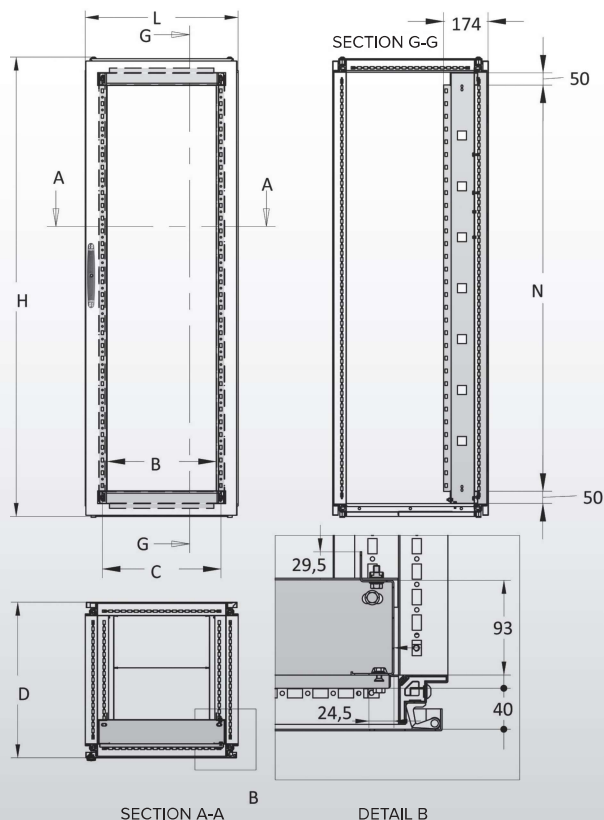
N.B.: on request product available in AISI 316L version

CODE	Nominal dimensions			Other dimensions				
	H	L	P	H1	L1	P1	M	N
OKV1664X	1600	600	400	1601	612	412	390	1390
OKV1665X	1600	600	500	1601	612	512	390	1390
OKV1666X	1600	600	600	1601	612	612	390	1390
OKV1684X	1600	800	400	1601	812	412	590	1390
OKV1685X	1600	800	500	1601	812	512	590	1390
OKV1686X	1600	800	600	1601	812	612	590	1390
OKV1864X	1800	600	400	1801	612	412	390	1590
OKV1865X	1800	600	500	1801	612	512	390	1590
OKV1866X	1800	600	600	1801	612	612	390	1590
OKV1868X	1800	600	800	1801	612	812	390	1590
OKV1884X	1800	800	400	1801	812	412	590	1590
OKV1885X	1800	800	500	1801	812	512	590	1590
OKV1886X	1800	800	600	1801	812	612	590	1590
OKV1888X	1800	800	800	1801	812	812	590	1590
OKV188AX	1800	800	1000	1801	812	1012	590 ⁽²⁾	1590 ⁽²⁾
OKV18A4X	1800	1000	400	1801	1012	412	790	1590
OKV18A5X	1800	1000	500	1801	1012	512	790	1590
OKV18A6X	1800	1000	600	1801	1012	612	790	1590
OKV18A8X	1800	1000	800	1801	1012	812	790	1590
OKV18AAX	1800	1000	1000	1801	1012	1012	790 ⁽²⁾	1590 ⁽²⁾
OKV2064X	2000	600	400	2001	612	412	390	1790
OKV2065X	2000	600	500	2001	612	512	390	1790
OKV2066X	2000	600	600	2001	612	612	390	1790
OKV2068X	2000	600	800	2001	612	812	390	1790
OKV2084X	2000	800	400	2001	812	412	590	1790
OKV2085X	2000	800	500	2001	812	512	590	1790
OKV2086X	2000	800	600	2001	812	612	590	1790
OKV2088X	2000	800	800	2001	812	812	590	1790
OKV208AX	2000	800	1000	2001	812	1012	590 ⁽²⁾	1790 ⁽²⁾
OKV20A4X	2000	1000	400	2001	1012	1012	790 ⁽²⁾	1790 ⁽²⁾
OKV20A5X	2000	1000	500	2001	1012	512	790	1790
OKV20A6X	2000	1000	600	2001	1012	612	790	1790
OKV20A8X	2000	1000	800	2001	1012	812	790	1790
OKV20AAX	2000	1000	1000	2001	1012	1012	790 ⁽²⁾	1790 ⁽²⁾
OKV2264X	2200	600	400	2201	612	412	390	1990
OKV2265X	2200	600	500	2201	612	512	390	1990
OKV2266X	2200	600	600	2201	612	612	390	1990
OKV2268X	2200	600	800	2201	612	812	390	1990
OKV226AX	2200	600	1000	2201	612	1012	390 ⁽²⁾	1990 ⁽²⁾
OKV2284X	2200	800	400	2201	812	412	590	1990
OKV2285X	2200	800	500	2201	812	512	590	1990
OKV2286X	2200	800	600	2201	812	612	590	1990
OKV2288X	2200	800	800	2201	812	812	590	1990
OKV228AX	2200	800	1000	2201	812	1012	590 ⁽²⁾	1990 ⁽²⁾
OKV22A4X	2200	1000	400	2201	1012	412	790	1990
OKV22A5X	2200	1000	500	2201	1012	512	790	1990
OKV22A6X	2200	1000	600	2201	1012	612	790	1990
OKV22A8X	2200	1000	800	2201	1012	812	790	1990
OKV22AAX	2200	1000	1000	2201	1012	1012	790 ⁽²⁾	1990 ⁽²⁾

(2) Double doors

Notes: the measurements M and N in the table are calculated respectively as follows:

- M = L-210mm
- N = H-220mm



OKX SERIES ENCLOSURES

OKD – Enclosure with inner modular frame

Description: OK enclosure complete with top removable panel and adjustable cable entry flanges, with external glazed door, and an integrated inner modular frame, ready for the installation of modular panels in any position in height. On the rear part of the modular frame, a series of accessories can be installed, such as modular plates, DIN rails etc., (see following pages).

It is suitable for multiple uses in the power distribution market.

Code OKD includes:

- Complete OK frame pre-assembled with removable top and base element with adjustable cable entry flanges
- **RPE...X** rear panel screwed
- **DTE...X** glazed door with PMMA transparent plate thick 4.0 mm
- Inner modular frame code **TMK**

To be ordered separately:

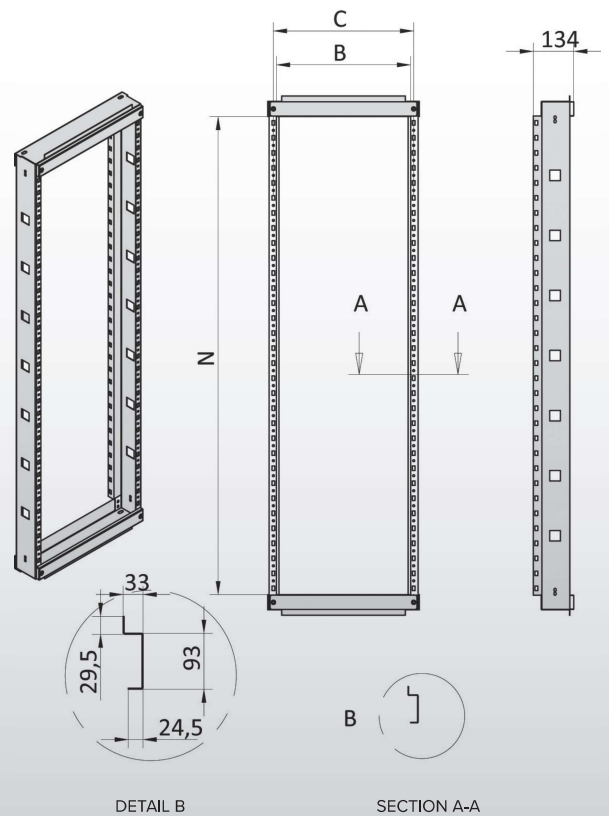
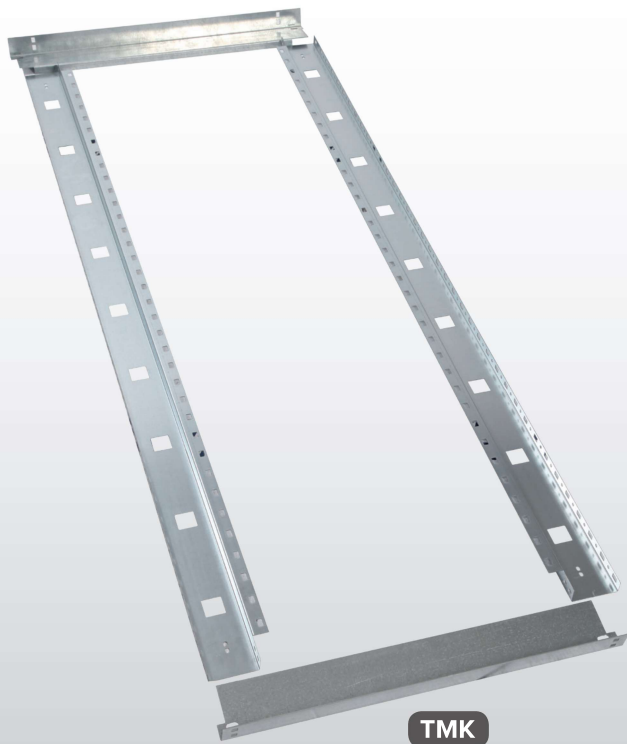
- Plinth h=100 / h=200 code **ZAK...X** + side flanges code **FLK...X** (page 18)
- Side panels code **DLK...X**
- Lifting eyebolts (page 57)

Accessories:

- Modular screwed covers **CP**
- Modular hinged covers **CP...C**
- Compensation panels h=50 mm code **PPC**
- Adjustable modular plates **CPR**
- DIN rail supports code **MTK**
- DIN rail code **CPP**

Notes: the distance from mounting plate CPR can go from a min of 66mm and max of 111mm depending on the positioning

N.B.: on request product available in AISI 316L version



TMK

DETAIL B

SECTION A-A

OKX SERIES ENCLOSURES

OKD and TMK – OK enclosure with inner modular frame

Description: it consists of 2 vertical uprights and 2 horizontal rails. The arrangement of modular covers and adjustable modular plates is completely customisable. In order to fill the N space (which is the total space between the 2 necessary compensation panels, to be ordered separately) it is possible to install any modular cover, hinged (right and left) or screwed. The inner modular frame is ready for the fixing on its back section of the adjustable modular plates, and is embedded with several cut outs for the outgoing and incoming cables.

Guide to the modular covers arrangement: In the table above all vertical enclosures' height is shown indicating the N dimension, which is the space available to be filled with the modular covers.

The arrangements of modular covers are multiple.

Example:

for an enclosure H=1800, the N dimension is 1600, which -for example- can be filled with 8 covers H=200, as well as with 4 covers H=200 and 2 cover H=400 etc.

OKD....X e TMK

CODE	Nominal dimensions			CODE Frame	Other dimensions			
	H	L	P		B	C	N	D
OKD1664X	1600	600	400	TMK166	445	465	1400	412
OKD1665X	1600	600	500	TMK166	445	465	1400	512
OKD1666X	1600	600	600	TMK166	445	465	1400	612
OKD1684X	1600	800	400	TMK168	645	665	1400	412
OKD1685X	1600	800	500	TMK168	645	665	1400	512
OKD1686X	1600	800	600	TMK168	645	665	1400	612
OKD1864X	1800	600	400	TMK186	445	465	1600	412
OKD1865X	1800	600	500	TMK186	445	465	1600	512
OKD1866X	1800	600	600	TMK186	445	465	1600	612
OKD1868X	1800	600	800	TMK186	445	465	1600	812
OKD1884X	1800	800	400	TMK188	645	665	1600	412
OKD1885X	1800	800	500	TMK188	645	665	1600	512
OKD1886X	1800	800	600	TMK188	645	665	1600	612
OKD2064X	2000	600	400	TMK206	445	465	1800	412
OKD2065X	2000	600	500	TMK206	445	465	1800	512
OKD2066X	2000	600	600	TMK206	445	465	1800	612
OKD2068X	2000	600	800	TMK206	445	465	1800	812
OKD2084X	2000	800	400	TMK208	645	665	1800	412
OKD2085X	2000	800	500	TMK208	645	665	1800	512
OKD2086X	2000	800	600	TMK208	645	665	1800	612
OKD2088X	2000	800	800	TMK208	645	665	1800	812
OKD2266X	2200	600	600	TMK226	445	465	2000	612
OKD2286X	2200	800	600	TMK228	645	665	2000	612